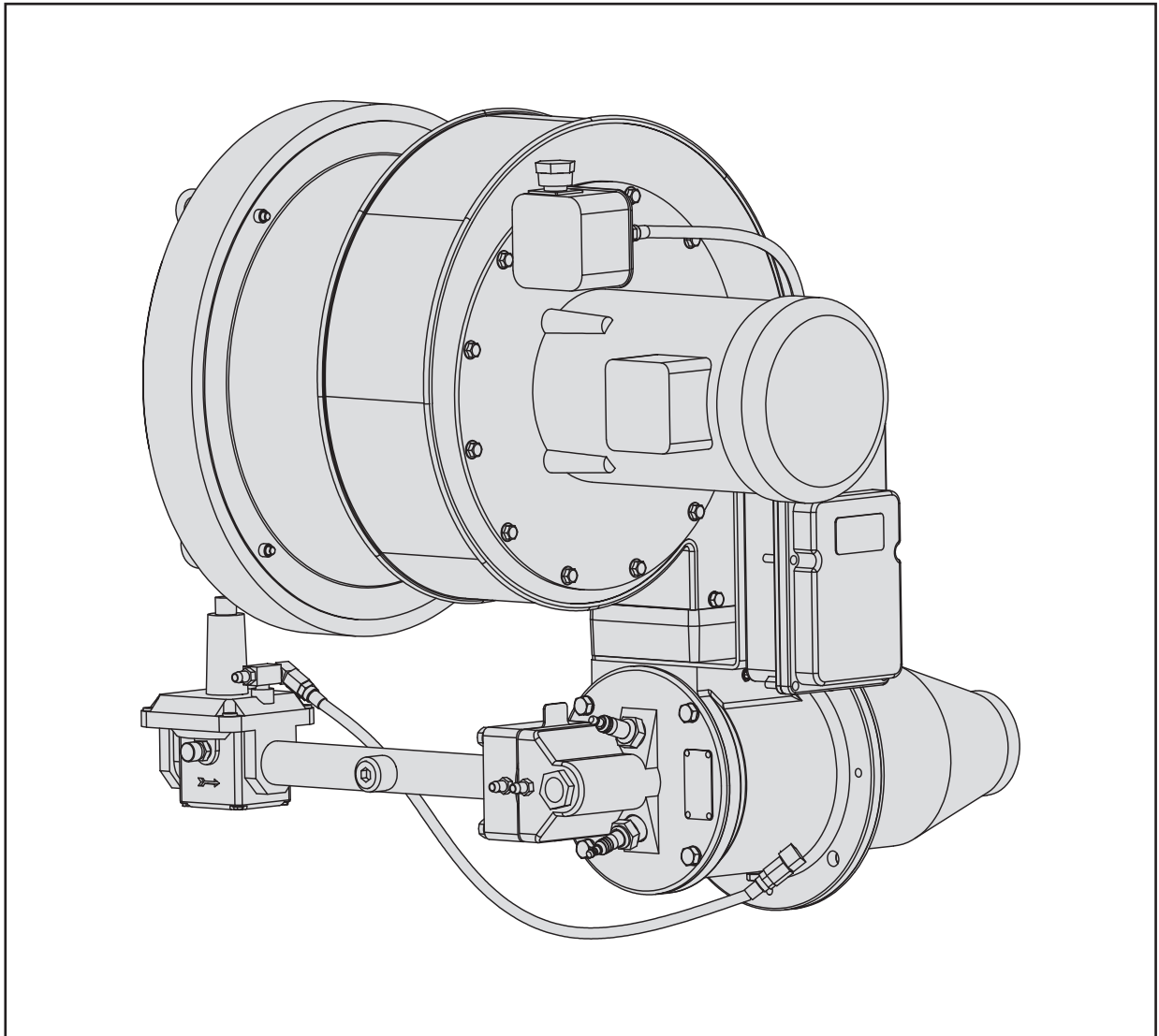


Eclipse RatioAir Burners

*RA Series
Version 1*



COPYRIGHT

Copyright 2005 by Eclipse, Inc. All rights reserved worldwide. This publication is protected by federal regulation and shall not be copied, distributed, transmitted, transcribed or translated into any human or computer language, in any form or by any means, to any third parties, without the express written consent of Eclipse, Inc.

DISCLAIMER NOTICE

In accordance with the manufacture's policy of continual product improvement, the product presented in this brochure is subject to change without notice or obligation.

The material in this manual is believed adequate for the intended use of the product. If the product is used for purposes other than those specified herein, confirmation of validity and suitability must be obtained. Eclipse warrants that the product itself does not infringe upon any United States patents. No further warranty is expressed or implied.

LIABILITY AND WARRANTY

We have made every effort to make this manual as accurate and complete as possible. Should you find errors or omissions, please bring them to our attention so that we may correct them. In this way we hope to improve our product documentation for the benefit of our customers. Please send your corrections and comments to our Marketing Communications Manager.

It must be understood that Eclipse's liability for its product, whether due to breach of warranty, negligence, strict liability, or otherwise is limited to the furnishing of replacement parts and Eclipse will not be liable for any other injury, loss, damage or expenses, whether direct or consequential, including but not limited to loss of use, income, or damage to material arising in connection with the sale, installation, use of, inability to use, or the repair or replacement of Eclipse's products.

Any operation expressly prohibited in this Guide, any adjustment, or assembly procedures not recommended or authorized in these instructions shall void the warranty.



About This Manual

AUDIENCE

This manual has been written for people who are already familiar with all aspects of a nozzle-mix burner and its add-on components, also referred to as “the burner system”.

These aspects are:

- Design / Selection
- Use
- Maintenance

The audience is expected to have previous experience with this type of equipment.

RATIOAIR DOCUMENTS

Design Guide No. 115

- This document

Datasheet, Series 115

- Available for individual RA models
- Required to complete design and selection

Installation Guide No. 115

- Used with Datasheet to complete installation

Price List No. 115

- Used to order burners

Related Documents

- EFE 825 (Combustion Engineering Guide)
- Eclipse Bulletins and Info Guides: 710, 732, 742, 760, 818, 832, 852, 854, 856, 610, 820, 930

Purpose

The purpose of this manual is to ensure that the design of a safe, effective, and trouble-free combustion system is carried out.

DOCUMENT CONVENTIONS

There are several special symbols in this document. You must know their meaning and importance.

The explanation of these symbols follows below. Please read it thoroughly.



Danger:

Indicates hazards or unsafe practices which WILL result in severe personal injury or even death.

Only qualified and well trained personnel are allowed to carry out these instructions or procedures.

Act with great care and follow the instructions.



Warning:

Indicates hazards or unsafe practices which could result in severe personal injury or damage.

Act with great care and follow the instructions.



Caution:

Indicates hazards or unsafe practices which could result in damage to the machine or minor personal injury, act carefully.



Note:

Indicates an important part of the text. Read thoroughly.

HOW TO GET HELP

If you need help, contact your local Eclipse representative.
You can also contact Eclipse at:

1665 Elmwood Rd.
Rockford, Illinois 61103 U.S.A.

Phone: 815-877-3031
Fax: 815-877-3336
<http://www.eclipsenet.com>



Table of Contents

1	Introduction	6
	Product Description	6
2	Safety	7
	Introduction.....	7
	Safety	7
	Capabilities	7
	Operator Training.....	7
	Replacement Parts	7
3	System Design	8
	Design	8
	Step 1: Burner Option Selection.....	9
	Step 2: Blower Option Selection.....	11
	Step 3: Control Methodology	11
	Step 4: Ignition System.....	12
	Step 5: Flame Monitoring Control System.....	13
	Step 6: Main Gas Shut-Off Valve Train.....	14
	Appendix	15
	Conversion Factors	15
	Key to System Schematics.....	16

Introduction

1

PRODUCT DESCRIPTION

The RatioAir is a nozzle-mix type burner designed for direct and indirect air heating of a wide range of applications including:

- Industrial Ovens and Furnaces
- Glass Lehrs
- Indirect Fired Air Heaters
- RTO Incinerators
- After Burners
- Galvanizing Kettles
- Waterbath Vaporizers

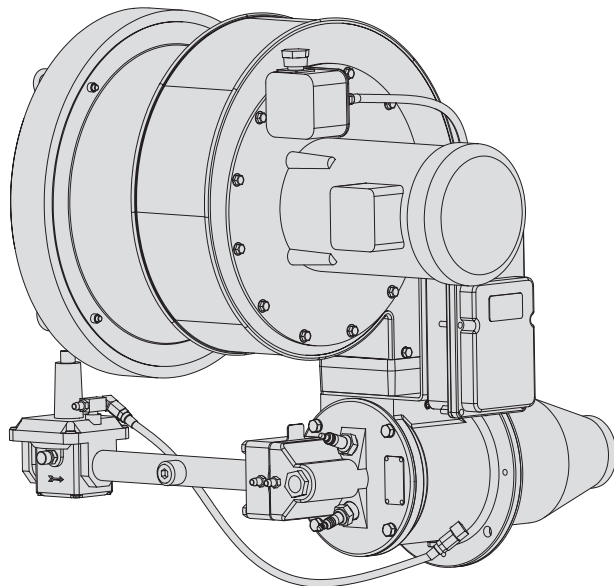
The burner package includes a combustion air blower and an air/gas ratio regulator to fire over a wide gas turndown range with controlled ratio. Available with three different outlet tube velocity characteristics (standard, medium and high velocity), RatioAir Burners are capable of outlet speeds of 250 ft/s with the medium velocity and 500 ft/s with the high velocity.

The burner is designed for:

- Efficient Ratio Controlled Combustion
- Reliable Burner Operation
- Simple Burner Adjustment
- Direct Spark Ignition
- Multiple Fuel Capability

A wide variety of options and configurations are available due to the modular design of the burner.

The RatioAir Burner



Safety

2

INTRODUCTION

This section is provided as a guide for the safe operation of Ratio-Air burner system. All involved personnel should read this section carefully before operating this system.

SAFETY



Danger:

The RatioAir burners, described herein, are designed to mix fuel with air and burn the resulting mixture. All fuel burning devices are capable of producing fires and explosions if improperly applied, installed, adjusted, controlled, or maintained. Do not bypass any safety feature; fire or explosion could result. Never try to light a burner if it shows signs of damage or malfunction.



Warning:

The burner might have HOT surfaces. Always wear protective clothing when approaching the burner.



Note:

This manual provides information in the use of these burners for their specific design purpose. Do not deviate from any instructions or application limits described herein without written advice from Eclipse. Read the entire manual before attempting to start this system. If you do not understand any part of the information contained in this manual, contact Eclipse before continuing.

CAPABILITIES

Only qualified personnel, with good mechanical aptitude and experience with combustion equipment, should adjust, maintain, or troubleshoot any mechanical or electrical part of this system.

OPERATOR TRAINING

The best safety precaution is an alert and trained operator. Train new operators thoroughly and have them demonstrate an adequate understanding of the equipment and its operation. A regular retraining schedule should be administered to ensure operators maintain a high degree of proficiency.

REPLACEMENT PARTS

Order replacement parts from Eclipse only. All Eclipse approved, customer supplied valves or switches should carry UL, FM, CSA, CGA, and/or CE approval, where applicable.

System Design

3

DESIGN

Design Structure

The design process is divided into the following steps:

1. Burner Option Selection Including:

- Burner Model / Size Selection
- Fuel Type
- Air Supply
- Combustor Type
- Combustor Length
- Control Motor
- Burner Configuration
- Gas Pipe Connection
- Flame Supervision
- Air Flow Switch

2. Blower Option Selection Including:

- Power Supply Frequency
- Pressure and Flow
- Blower Motor Type
- Blower Inlet
- Motor Orientation

3. Control Methodology Including:

- Burner Control

4. Ignition System Including:

- Ignition Transformer
- Trial for Ignition
- Ignition Gas Piping

5. Flame Monitoring Control System Including:

- Flame Sensor
- Flame Monitoring Control

6. Main Gas Shut-Off Valve Train Including:

- Component Selection
- Valve Train Size

Step 1: Burner Option Selection

Step 1 describes how to select burner options to suit an application. Use the RatioAir Price List 115 and Datasheets, Series 115 when following this selection process.



Caution:

Consult EFE-825 Eclipse Engineering Guide, or contact Eclipse if you have special conditions or questions.

Burner Model / Size Selection

Consider the following when selecting the burner size:

- **Heat Input:** Calculate the required heat input to achieve the required heat balance.
- **Power Supply Frequency:** Burner capacity will vary with power supply frequency (60Hz power).
- **Combustion Chamber Pressure:** Consider the effects that large or varying chamber pressures have on burner performance.
- **Altitude:** The maximum burner capacity is reduced by approximately 3% each 1000 feet (300 meters) above sea level.
- **Combustion Air Supply:** Combustion air should be fresh (20.9% O₂) and clean (without corrosives).
- **Combustion Air Temperature:** Changes in air supply temperature can affect the burner capacity. The combustion air supply temperature should not exceed 250°F.
- **Fuel Type:** Variation in calorific value and density will affect burner performance.

Fuel Type

Fuel	Symbol	Gross Heating Value	Specific Gravity
Natural Gas	CH ₄ 90%+	1000 BTU/ft ³ (40 MJ/m ³)	0.60
Propane	C ₃ H ₈	2570 BTU/ft ³ (103 MJ/m ³)	1.52
Butane	C ₄ H ₁₀	3250 BTU/ft ³ (130 MJ/m ³)	1.95
BTU/ft ³ @ standard conditions (MJ/m ³ @ normal conditions)			

If using an alternative fuel supply, contact Eclipse with an accurate breakdown of the fuel components.

Air Supply

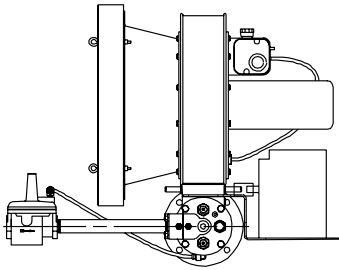
When a standard RatioAir Version 1.0 burner is ordered, a combustion air blower is supplied and mounted directly to the burner body.

Combustor Type

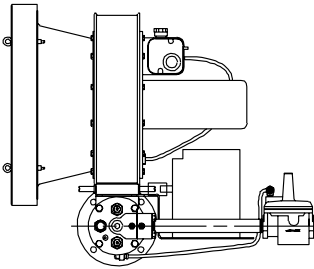
Select a combustor type based on the application. Low temperature applications use an alloy combustion tube. High temperature applications use a silicon carbide (SiC) tube or a refractory block & holder. For vertical down-firing applications with block and holder, consult factory.

Step 1: Burner Option Selection (Continued)

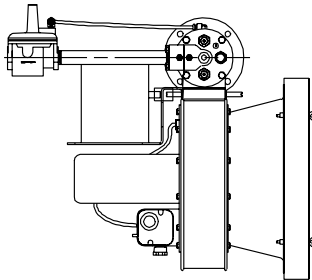
Configuration Selections:



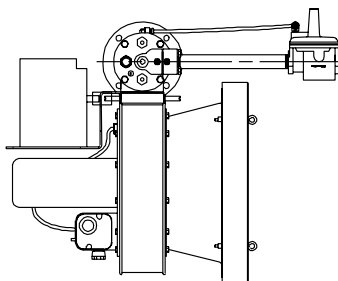
Upright Left Hand Piping



Upright Right Hand Piping



Inverted Left Hand Piping



Inverted Right Hand Piping

Control Motor

Select a control motor. Standard control motor options include various models which Eclipse will mount to the burner. RatioAirs can be ordered with control motor bracket and mounting hardware only. Customer supplied control motors must conform to the these specifications:

- rotation not to exceed 2 rpm
- minimum torque of 25 in-lb (2,8 Nm)
- 90° stroke
- continuous modulating or high/low modulating control
- reversible direction of rotation
- certain applications may require control motors with a limit switch or switches if:
 - the burner capacity is to be limited to fit an application
 - the chamber is to be fired with positive or negative pressure
 - the chamber pressure is outside the range -1" w.c. to +1" w.c. (-2,5 to 2,5 mbar)
 - there is a need to indicate a high and/or low fire air butterfly valve (BV) position

Burner Configuration

Select configuration.

Gas Pipe Connection

Select the gas pipe connection including the pipe thread type and the turndown required.

The piping, burner gas inlet, and ratio regulator are threaded using the customer selected pipe thread option.

The high turndown option includes a ratio regulator with an adjustment for lower inputs.

Flame Supervision

Determine if a flame rod or an ultraviolet (UV) scanner will be required. Flame rods are available on model RA0025, RA0040, RA0075 and RA0100 burners with alloy or SiC tubes. A flamerod can also be used on RA0200 burners but with upright left hand piping or inverted right hand piping configurations only. All other options and models require UV scanners. If a UV scanner is required, it must be ordered separately.



Warning:

A UV scanner could possibly detect another burner's flame if it is in the line of sight, and falsely indicate flame presence.

Air Flow Switch

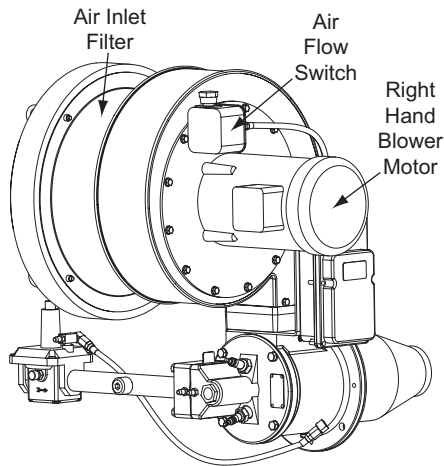
The air flow switch provides a signal to the monitoring system when there is not enough air pressure from the blower. If a switch is selected, it will be factory mounted.



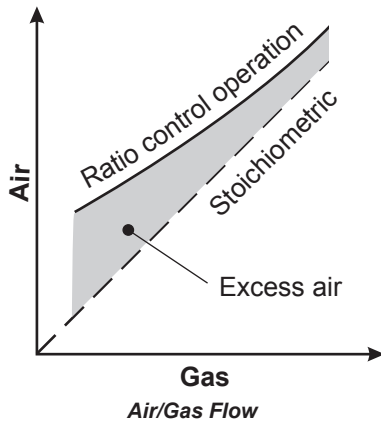
Warning:

Eclipse supports the NFPA regulation requiring, as a minimum standard for main gas shut-off systems, the use of an air pressure switch in conjunction with other system components.

Step 2: Blower Option Selection



Step 3: Control Methodology



Note:

Standard blower options are listed in Price List 115, additional blower options are available through Eclipse. Price and leadtime may vary.

Power Supply Frequency

Select the 50Hz or 60Hz option. The 50Hz blower motors have IEC frames and are CE marked. The 60Hz motors have NEMA frames.

Pressure & Flow

RatioAirs include a combustion air blower.

Blower Motor Type

Motor types include various options: voltages, single or three phase, TEFC or automotive duty enclosures.

Blower Inlet

When selecting an inlet, consider the following:

- amount and size of particles in the air
- sound requirements
- space limitations
- cleanliness requirements of the process

Motor Orientation

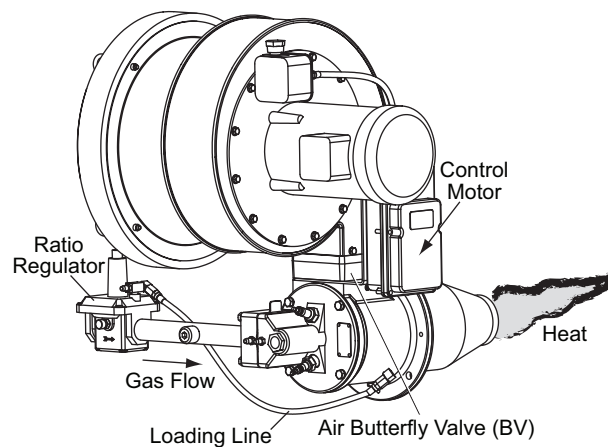
All RatioAirs are assembled with a right-hand blower motor orientation.

All standard RatioAirs are designed for:

- air:gas ratio controlled combustion
- 10% to 15% excess air at high fire
- higher excess air at low fire

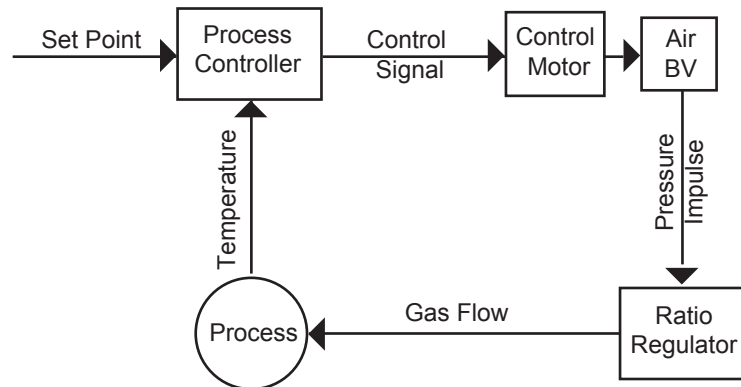
Burner Control

RatioAirs come with a ratio regulator that maintains the air:gas ratio.



- A control signal is sent from a process temperature controller (sold separately) to the control motor. (Refer to Bulletin 818C or contact Eclipse for further information on temperature controllers.)

Step 3: Control Methodology (Continued)



- The control motor modulates the air butterfly valve (BV) which controls the combustion air flow.
- Air pressure in the burner body sends an impulse down the loading line to the ratio regulator.
- The ratio regulator controls the gas flow in proportion to the air flow.



Warning:

Do not use other control methods, such as, a fixed-air control, and do not alter the ratio regulator or burner piping without prior approval from Eclipse.

Step 4: Ignition System

Ignition Transformer

For the ignition system, use a transformer with:

- secondary voltage 6,000 to 8,000 VAC
- minimum secondary current 0.02 amps continuous
- full wave output

DO NOT USE the following:

- twin outlet transformer
- distributor type transformer

Trial for Ignition

It is recommended that low fire start be used. However, under certain circumstances RatioAirs are capable of direct spark ignition at higher gas inputs.

Most local safety codes and insurance requirements limit the maximum trial for ignition time (the time it takes for a burner to ignite). These requirements vary from one location to another; check your local codes and comply to the strictest codes applicable.

The time it takes for a burner to ignite depends on the following:

- the distance between the gas shut-off valve and the burner
- the air:gas ratio
- the gas flow conditions at start-up

The possibility exists where the low fire is too low to ignite the burner within the maximum trial for ignition time. The following options must be considered under these conditions:

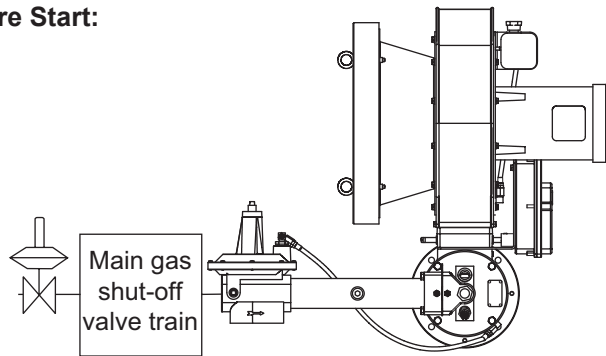
- start at higher gas input levels
- resize and/or relocate the gas controls
- use bypass start gas

Step 4: Ignition System (Continued)

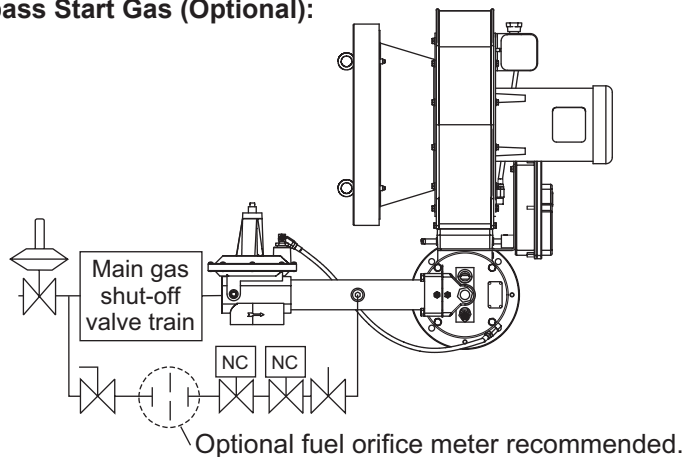
Ignition Gas Piping

RatioAirs are capable of ignition with either low fire or bypass start gas.

Low Fire Start:



Bypass Start Gas (Optional):



An optional fuel orifice meter connected in the start gas piping can simplify start-up and adjustment. To start the burner at the lowest possible gas input, select a fuel orifice meter for 5" to 10" w.c. pressure drop when the gas flow is at the burner's rated low fire.

The flame monitoring control system consists of two main components:

- Flame Sensor
- Flame Monitoring Control

Flame Sensor

Two types can be used on a RatioAir Burner:

- Flame Rod
- UV scanner

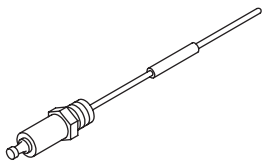
Flame rods are available on model RA0025, RA0040, RA0075 and RA0100 burners with alloy or SiC tubes. A flame rod can also be used on RA0200 burners but with upright left hand piping or inverted right hand piping configurations only. Further information can be found in:

- Info Guide 832

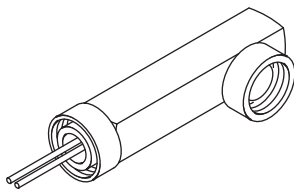
A UV scanner can be used on all RatioAir Burner sizes. Further information can be found in:

- Info Guide 852; 90° UV scanner
- Info Guide 854; straight UV scanner
- Instruction Manual 855; solid state UV/IR scanner
- Info Guide 856; self-check UV scanner

Step 5: Flame Monitoring Control System



Flame Rod



UV Scanner

Step 5: Flame Monitoring Control System (Continued)

Flame Monitoring Control

The flame monitoring control is the equipment that processes the signal from the flame rod or the UV scanner.

For flame monitoring control you may select several options:

- flame monitoring control for each burner: if one burner goes down, only that burner will be shut off
- multiple burner flame monitoring control: if one burner goes down, all burners will be shut off

There are three recommended flame monitoring controls:

- Bi-flame series; see Instruction Manual 826
- Multi-flame series 6000; see Instruction Manual 820
- Veri-flame; see Instruction Manual 818

Other manufacturer's flame monitoring systems can be used with the burner if spark is maintained for a fixed time interval and is not interrupted when a flame signal is detected during trial for ignition.

Component Selection

Eclipse can help in the design of a main gas shut-off valve train that satisfies the customer and complies with all local safety standards and codes set by the authorities within that jurisdiction. Contact Eclipse for further information.



Note:

Eclipse supports NFPA regulations (two gas shut-off valves as a minimum standard for main gas shut-off systems).

Valve Train Size

Fuel pressure supplied to the ratio regulator inlet must be within the range specified in the RatioAir datasheet. The valve train should be sized sufficiently to provide the specified pressure.



Warning:

Do not operate RatioAir burners with gas inlet pressure less than the minimum listed on the RatioAir datasheet. Lower gas inlet pressure may cause the ratio regulator to remain fully open at lower inputs as the burner transitions from low to high fire. This could result in the possible accumulation of unburned fuel in the burner which, in extreme situations, could cause a fire or an explosion.

Step 6: Main Gas Shut-Off Valve Train



Appendix

CONVERSION FACTORS Metric to English

From	To	Multiply By
cubic meter (m ³)	cubic foot (ft ³)	35.31
cubic meter/hr (m ³ /h)	cubic foot/hr (cfh)	35.31
degrees Celsius (°C)	degrees Fahrenheit (°F)	(°C x 1.8) + 32
kilogram (kg)	pound (lb)	2.205
kilowatt (kW)	BTU/hr	3414
meter (m)	foot (ft)	3.28
millibar (mbar)	inches water column ("w.c.)	0.401
millibar (mbar)	pounds/sq in (psi)	14.5 x 10 ⁻³
millimeter (mm)	inch (in)	3.94 x 10 ⁻²
MJ/m ³ (normal)	BTU/ft ³ (standard)	2.491 x 10 ⁻²

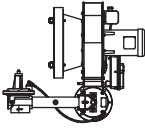
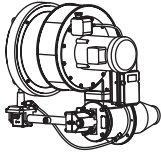

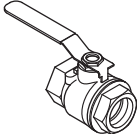
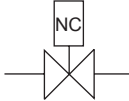
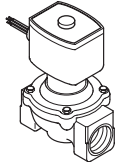

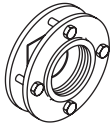


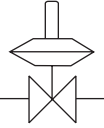
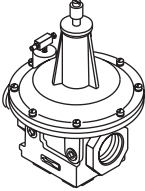


Metric to Metric

From	To	Multiply By
kiloPascals (kPa)	millibar (mbar)	10
meter (m)	millimeter (mm)	1000
millibar (mbar)	kiloPascals (kPa)	0.1
millimeter (mm)	meter (m)	0.001

English to Metric

From	To	Multiply By
BTU/hr	kilowatt (kW)	0.293 x 10 ⁻³
cubic foot (ft ³)	cubic meter (m ³)	2.832 x 10 ⁻²
degrees Fahrenheit (°F)	degrees Celsius (°C)	(°F - 32) ÷ 1.8
foot (ft)	meter (m)	0.3048
inch (in)	millimeter (mm)	25.4
inches water column ("w.c.)	millibar (mbar)	2.49
pound (lb)	kilogram (kg)	0.454
pounds/sq in (psi)	millibar (mbar)	68.95
BTU/ft ³ (standard)	MJ/m ³ (normal)	40.14

KEY TO SYSTEM DRAWINGS

Symbol	Appearance	Name	Remarks	Bulletin / Info Guide
		RatioAir		
Main gas shut-off valve train		Main Gas Shut-Off Valve Train	Eclipse strongly endorses NFPA as a minimum.	756
		Gas Cock	Gas cocks are used to manually shut off the gas supply on both sides of the main gas shut-off valve train.	710
		Solenoid Valve (normally closed)	Solenoid valves are used to automatically shut off the gas supply on a bypass gas system or on small capacity burners.	760
		Fuel Orifice Meter	Fuel orifice meters are used to measure gas flow.	910
		Adjustable Limiting Orifice	Adjustable limiting orifices are used for fine adjustment of gas flow.	
		Pressure Regulator	A pressure regulator reduces gas pressure to a stable, usable pressure.	684
		Ratio Regulator	A ratio regulator is used to control the air/gas ratio. The ratio regulator is a sealed unit that adjusts the gas flow in ratio with the air flow. To do this, it measures the air pressure with a pressure sensing line, the impulse line. This impulse line is connected between the top of the ratio regulator and burner body.	742
		Pressure Taps		
		Impulse Line		



Offered By:

Power Equipment Company
2011 Williamsburg Road
Richmond, Virginia 23231
Phone (804) 236-3800
Fax (804) 236-3882

www.peconet.com